

## GalvinAssist<sup>®</sup> Hand Shower with Inverted Centre T 700x1100 SS Hygienic Grab Rail

### PRODUCT CODES:


- 41978CP (Chrome Hose & Handpiece)
- 41978 (White Hose & Handpiece)



### SPECIFICATIONS

- The GalvinAssist<sup>®</sup> range of Stainless Steel grab rails provides safe and reliable fixtures for WC's and accessible areas in health institutions, hospitals and detention facilities. All the items can comply with clause 17 of AS 1428.1-2009 if positioned correctly according to the standard.

**IMPORTANT:** All Galvin Engineering taps are tested in accordance with AS/NZS 3662 and leave our premises in good working order.

**WARNING:** Special attention to be paid on notes, photos, images, or drawings of assembly steps marked with the warning symbol. 

### TECHNICAL DATA

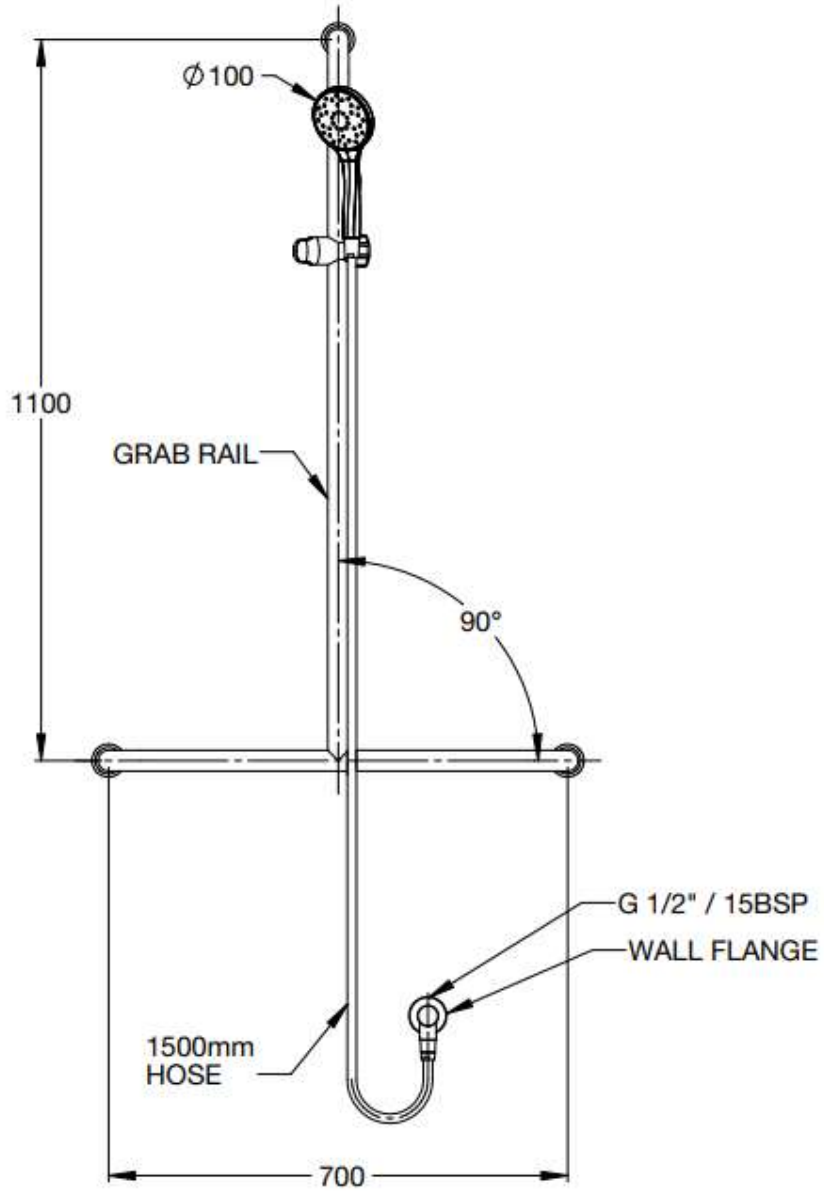
Inlet		1/2" BSP – Female
Outlet		Handheld Shower
Headwork		N/A
Working Pressure Range (kPa)	Min	150
	Max	500
Working Temperature Range (°C)	Min	5
	Max	55
Nominal Flow Rate (LPM)	41978CP	8.24
	41978	5.62
Finish		N/A
<p><i>The shower may not be suitable for use in gravity-fed water heaters, low pressure supply networks, instantaneous water heaters, tempering valves and thermostatic mixing valves. (AS3662-2013). For use with potable water only. Not suitable for low or unequal pressure water supply.</i></p>		
<p><b>NOTE:</b> Galvin Engineering continually strive to improve their products. Specifications may change without notice.</p>		

### TOOLS REQUIRED

- Power drill
- Spanner or adjustable crescent

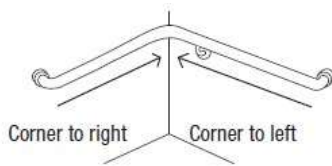
**PRE-INSTALLATION**

**MOUNTING DETAILS**

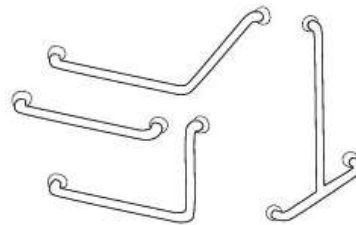


**INSTALLATION**

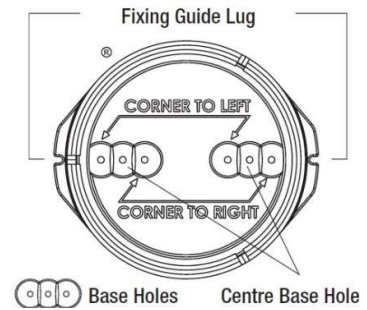
**INSTALLATION COMPLIANCE:** Galvin Engineering products must be installed in accordance with these installation instructions and in accordance with AS/NZS 3500, the PCA and your local regulatory requirements. Water and/or electrical supply conditions must also comply to the applicable national and/or state standards. Failing to comply with these provisions shall void the product warranty and may affect the performance of the product.



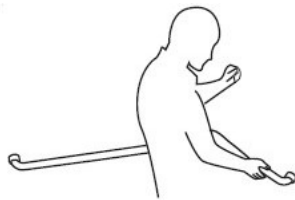
**WARNING:** Install with stainless steel 304 or 316 screws. Other type of screws may rust and void warranty.



When marking out these grab rails, use centre base holes of flange protector.



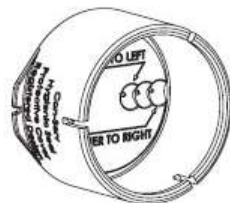
When marking out corner grab rails follow the fixing guide lug diagram shown above to suit grab rail orientation.



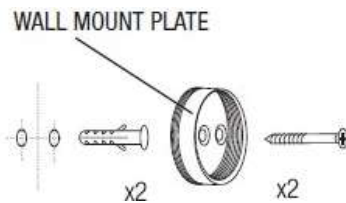
1. Install straight grab rails including the horizontal section of any grab rail as per AS 1428.1, 800-810mm from floor to top of rail. Make sure the wall surface is flat and free from contaminants.



2. For STRAIGHT grab rails, position the flange protector guide lugs either vertical or horizontal.



3. Remove flange protector from grab rail flange. Align guide lug marks from step 2 and mark wall through base holes to pinpoint screw holes.



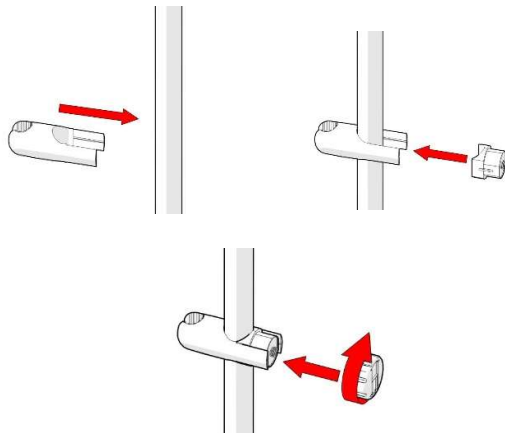
4. Fit dress ring if applicable. Drill spot marks with 7mm bit. Screw wall mount plate to wall. Ensure screws engage wall stud or other solid substrate.



**5. Fit grab rail into wall mount plate and tighten lock nut firmly.**

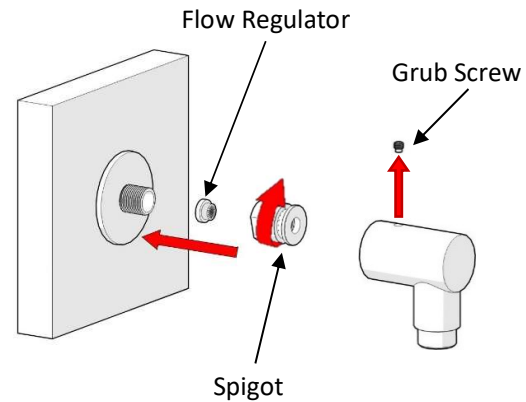


**6. Screw flange cover to wall mount plate.**



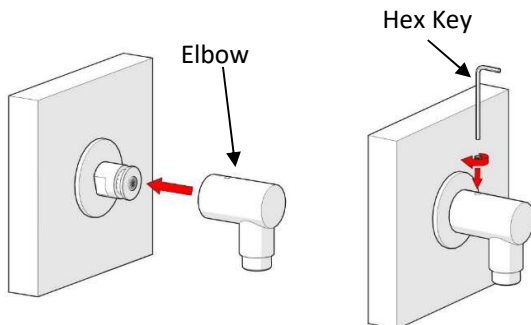
**7. Cradle Installation**

- Fit the shower cradle to the grab rail as shown.
- Position the cradle as desired then tighten the cover of the cradle.



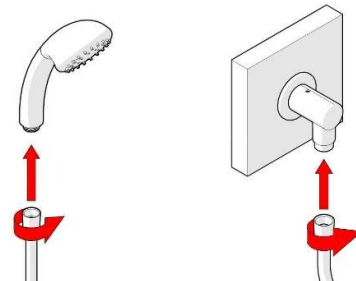
**8. Connect Flange Wall Outlet Elbow**

- Apply thread tape to wall spud. When applying thread tape or sealant to the wall spud, ensure the opening is not obscured. Failure to do so may restrict or block the flow restrictor, affecting the flow of water.
- Remove spigot by loosening grub screw in elbow.
- Fit spigot to wall spud, ensuring the flow regulator is in place and not damaged when tightening the spigot.



**9. Connect Flange Wall Outlet Elbow**

- Fit elbow over spigot and secure with grub screw.
- Using 2.5mm hex key supplied, tighten 5mm grub screw.



**10. Check Shower for correct operation and leaks**

- Connect hose and shower head ensuring the connection is secured, then turn on water supply. Check for any leaks.

<b>TROUBLESHOOTING</b>		
<b>PROBLEM</b>	<b>CAUSE</b>	<b>RECTIFICATION</b>
Water is not flowing or has inconsistent flow	Shower is blocked with debris.	Remove debris from shower.
Leak from elbow	Insufficient sealant	Ensure thread tape has been used during installation.

**WARRANTY**

The warranty set forth herein is given expressly and is the only warranty given by the Galvin Engineering Pty Ltd. With respect to the product, Galvin Engineering Pty Ltd makes no other warranties, express or implied. Galvin Engineering Pty. Ltd. hereby specifically disclaims all other warranties, express or implied, including but not limited to the implied warranties of merchantability and fitness for a particular purpose.

Galvin Engineering Pty Ltd products are covered under our manufacturer’s warranty available for download from [www.galvinengineering.com.au](http://www.galvinengineering.com.au) Galvin Engineering Pty Ltd expressly warrants that the product is free from operational defects in workmanship and materials for the warranty period as shown on the schedule in the manufacturer’s warranty. During the warranty period, Galvin Engineering will replace or repair any defective products manufactured by Galvin Engineering without charge, so long as the terms of the Manufacturer’s warranty are complied with.

The remedy described in the first paragraph of this warranty shall constitute the sole and exclusive remedy for breach of warranty, and Galvin Engineering Pty Ltd shall not be responsible for any incidental, special or consequential damages, including without limitation, lost profits or the cost of repairing or replacing other property which is damaged if this product does not work properly, other costs resulting from labour charges, delays, vandalism, negligence, fouling caused by foreign material, damage from adverse water conditions, chemical, electrical or any other circumstances over which Galvin Engineering has no control. This warranty shall be invalidated by any abuse, misuse, misapplication, improper installation or improper maintenance or alteration of the product.